

PLUG: RM312-080-121-2900
RECEPTACLE: RM322-080-581-5900
 XXXXX-XXX-XXX-XXXX

PLUG

RECEPTACLE

SERIES

RM .075" Screw Machine PC Connector | RM .075" Screw Machine PC Connector

BODY

3 3-Row | 3 3-Row

BODY STYLE:

1 Plug, straight, with mounting ears	2 Receptacle, straight, with mounting ears
3 Plug, straight, without mounting ears	4 Receptacle, straight, without mounting ears

BODY MATERIAL:

2 Polyphenylene sulfide (PPS)	2 Polyphenylene sulfide (PPS)
-------------------------------	-------------------------------

SIZE

011, 023, 035, 047, 059, 071, 080 | 011, 023, 035, 047, 059, 071, 080

CONTACTS

TYPE CONTACTS/TERMINATIONS:

10 Pin, straight, dip solder, .109" x .020" dia
 11 Pin, straight, solder cup
 12 Pin, straight, dip solder, .140" x .020" dia
 13 Pin, straight, dip solder, .172" x .020" dia
 15 Pin, straight, flex, .093" x .017" dia

TYPE CONTACTS/TERMINATIONS:

00 Contacts not supplied
 57 Socket, straight, crimp removable (20-22 AWG)*
 58 Socket, straight, crimp removable (24-26 AWG)*
 59 Socket, straight, crimp removable (28-30 AWG)*

PLATING OPTIONS:

1 Gold plated termination
 2 Pre-tinned termination (except solder cup or flex)

PLATING OPTIONS:

1 Gold plated termination

HARDWARE

STYLE OF HARDWARE:

(See R-41 & R-42 for all options)

0256 None
 55 Guide set
 57 Two guide pins
 58 Two guide sockets
 29 Fixed jackset
 30 Fixed jackset, reversed
 19 Two fixed jackscrews
 20 Two fixed jacksockets
 59 Hex turning jackset, .200"
 60 Hex turning jackset, reversed, .200"
 61 Two hex turning jackscrews, .200"
 62 Two hex turning jacksockets, .200"
 64 Turning jackset, .490"
 65 Turning jackset, reversed, .490"
 66 Two turning jackscrews, .490"
 67 Two turning jacksockets, .490"

STYLE OF HARDWARE:

(See R-41 & R-42 for all options)

0256 None
 55 Guide set
 57 Two guide pins
 58 Two guide sockets
 29 Fixed jackset
 30 Fixed jackset, reversed
 19 Two fixed jackscrews
 20 Two fixed jacksockets
 59 Hex turning jackset, .200"
 60 Hex turning jackset, reversed, .200"
 61 Two hex turning jackscrews, .200"
 62 Two hex turning jacksockets, .200"
 64 Turning jackset, .490"
 65 Turning jackset, reversed, .490"
 66 Two turning jackscrews, .490"
 67 Two turning jacksockets, .490"

POLARIZATION:

00 None
 01 thru 68 are special identifiers, see R-38
 70 Same configuration as 01 without Loctite®
 (To be keyed by customer)

POLARIZATION

00 None
 01 thru 68 are special identifiers, see R-38
 70 Same configuration as 01 without Loctite®
 (To be keyed by customer)

* Full compliment of crimp removable sockets packaged with connectors

1. Crimp tool - AirBorn part number: CDG4601, Mil Spec number M22520/2-01
2. Crimp positioner - AirBorn part number: CDG4602 (24-26 AWG and 28-30 AWG)
 CDG4603 (20-22 AWG)
3. Crimp removal tool - AirBorn part number: CDG8161 (All AWGs)
4. Crimp contact part number on previous page.

3 · ROW

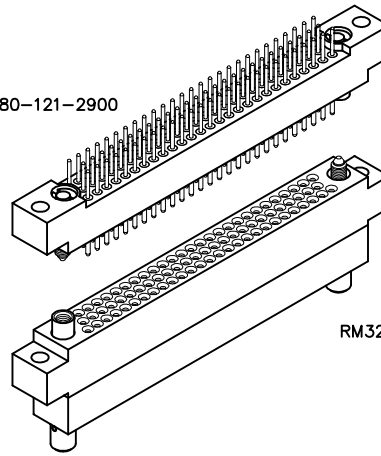
Cable or Board to Crimp Removable

.075"

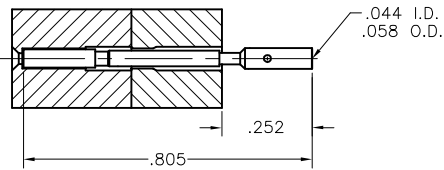
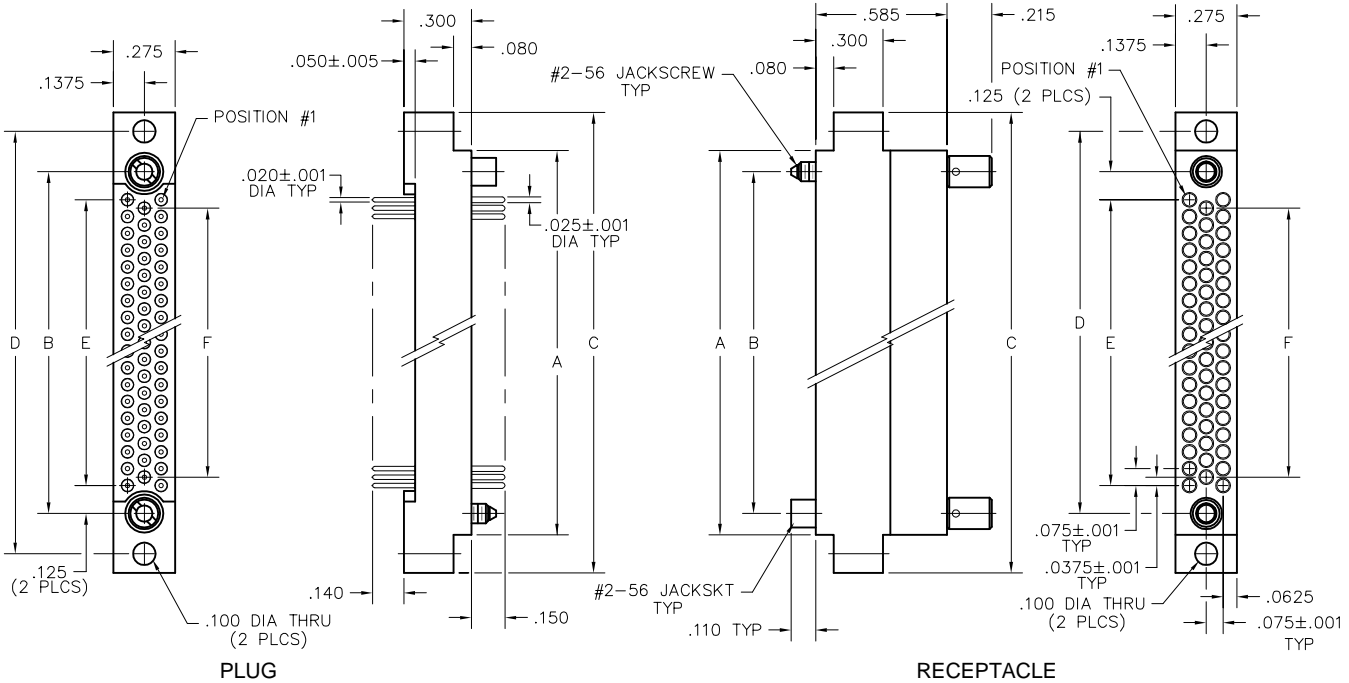
RM3

11 thru 80 Contacts

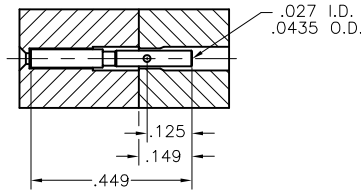
RM312-080-121-2900



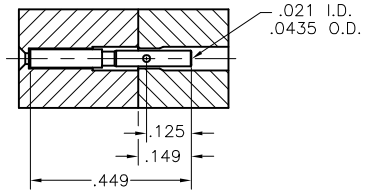
RM322-080-581-5900



20-22 AWG



24-26 AWG



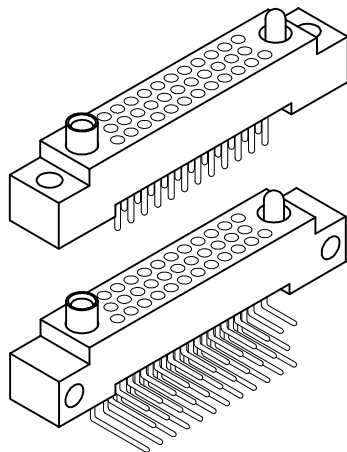
28-30 AWG

NOTE:

When using crimp contacts with 20 gage barrel, barrel must be cut off prior to removing contact from connector body.

CRIMP REMOVABLE CONTACTS	
SIZE	PART NUMBER
20-22 AWG	RM300-000-571-0000
24-26 AWG	RM300-000-581-0000
28-30 AWG	RM300-000-591-0000

SIZE	DIMENSIONS					
	A	B	C	D	E	F
11	.665	.475	1.005	.835	.225	.150
23	.965	.775	1.305	1.135	.525	.450
35	1.265	1.075	1.605	1.435	.825	.750
47	1.565	1.375	1.905	1.735	1.125	1.050
59	1.865	1.675	2.205	2.035	1.425	1.350
71	2.165	1.975	2.505	2.335	1.725	1.650
80	2.390	2.200	2.730	2.560	1.950	1.875



DIMENSIONS			
SIZE	A	B	C
11	.835	.225	.150
23	1.135	.525	.450
35	1.435	.825	.750
47	1.735	1.125	1.050
59	2.035	1.425	1.350
71	2.335	1.725	1.650
80	2.560	1.950	1.875
92	2.860	2.250	2.175
104	3.160	2.550	2.475
122	3.610	3.000	2.925
134	3.910	3.450	3.375
152	4.360	3.750	3.675
182	5.110	4.500	4.425
206	5.710	5.100	5.025

3 • ROW

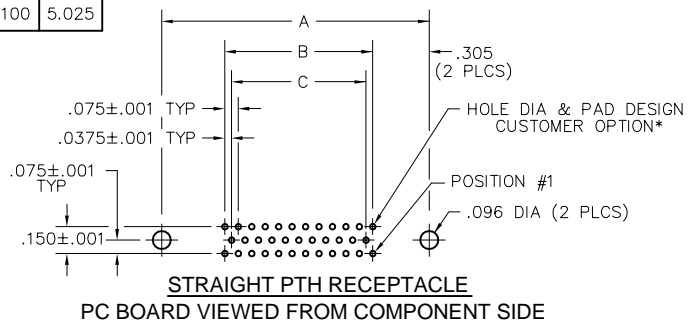
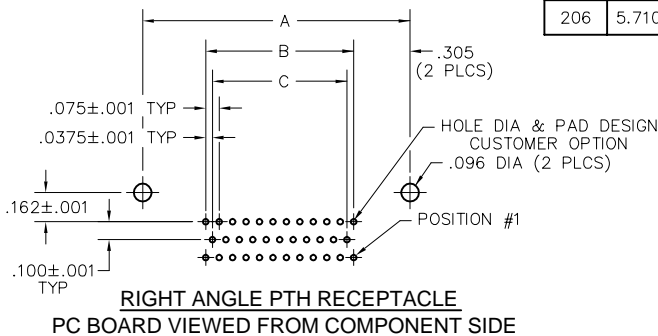
Right Angle PTH Rcpt

Straight PTH Rcpt

.075"

RM3

11 thru 206 Contacts
Recommended Board Layout



*COMPLIANT TERMINATION REQUIREMENTS:
Board Material: FR-4 w/ 1.0 oz. copper
Minimum nominal board thickness: .062"
Drilled hole: .0319"-.0339"
Copper plating thickness: .0010" minimum

Tin-lead plating thickness: .0006" maximum
Electroplated tin-lead composition: 63/37 (Sn/Pb)
Finished hole diameter: .028"±.002"

SIZE	CONTACT ID	SIZE	CONTACT ID
11	11 10 9 8 7 6 5 4 3 2 1	92	92 91 90 64 63 62 61 60 59 34 33 32 31 30 29 3 2 1
23	23 22 21 20 19 18 17 16 15 14 13 12 11 10 9 8 7 6 5 4 3 2 1	104	104 103 102 72 71 70 69 68 67 38 37 36 35 34 33 3 2 1
35	35 34 33 26 25 24 23 22 21 15 14 13 12 11 10 3 2 1	122	122 121 120 84 83 82 81 80 79 44 43 42 41 40 39 3 2 1
47	47 46 45 34 33 32 31 30 29 19 18 17 16 15 14 3 2 1	140	140 139 138 96 95 94 93 92 91 50 49 48 47 46 45 3 2 1
59	59 58 57 42 41 40 39 38 37 23 22 21 20 19 18 3 2 1	152	152 151 150 104 103 102 101 100 99 54 53 52 51 50 49 3 2 1
71	71 70 69 50 49 48 47 46 45 27 26 25 24 23 22 3 2 1	182	182 181 180 124 123 122 121 120 119 64 63 62 61 60 59 3 2 1
80	80 79 78 56 55 54 53 52 51 30 29 28 27 26 25 3 2 1	206	206 205 204 140 139 138 137 136 135 72 71 70 69 68 67 3 2 1